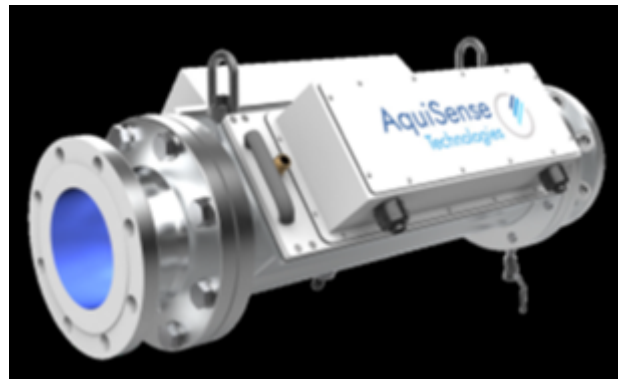


UVC Disinfection

PearlAqua kilo is an easily deployable LED UV device used in the control of unwanted microorganisms in drinking water. PearlAqua Kilo uses small UVC LEDs to inactivate microorganisms without the use of harmful chemicals or mercury.

PearlAqua Kilo:

- Compact device
- Easy to implement
- High efficiency with up to 99,99% inactivation
- Device with continuous monitoring
- Tested UVC LED



Used in:

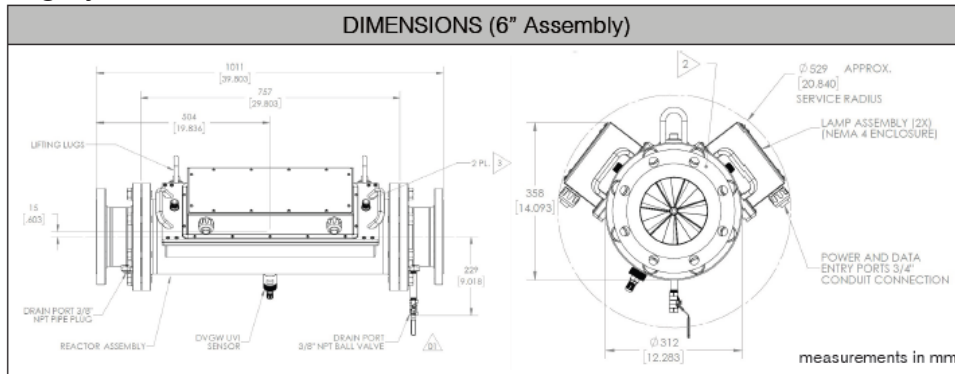
- Drinking water
- Tapping point
- Waterworks
- Residential blocks
- Incoming/outgoing water for productions
- Process water



Read more about
UVC here

Technical information:

The UV water disinfection system is mounted directly on the water line. PearlAqua kilo has built.in UV sensors and LED indicators. The units have a lifespan of up to 10.000 hours before they need to be replaced. The unit is not affected by the number of on/off cycles. PearlAqua Kilo is equipped with its own closed cooling system.



At a UVC dose of 10 mJ/cm², under normal circumstances, a reduction of E-coli, etc. of up to 99% or more will be achieved.

At 30 mJ/cm², a very high reduction of 99,99% of common pathogens in water will be achieved with UVT down to 90%

Specifications	
Specifications may vary based on individual configurations	
Product name	PearlAqua Kilo
Lifetime on bulb	Up to 10.000 Hours
Number of UVC units per unit	1 or 2 pcs.
Flow (at 98% UVT)	27-177 m ³ /hour
UVC dose	400 mJ/m ²
Length × Height × Width	1011mm × 358mm × 312mm
Water temperature	0-60°C
IP	65
Electric info (VAC)	208-240
Plumbing connection Flanges size	4,5,6
Material	Stainless steel 316
Cooling	Closed circuit cooler or process water